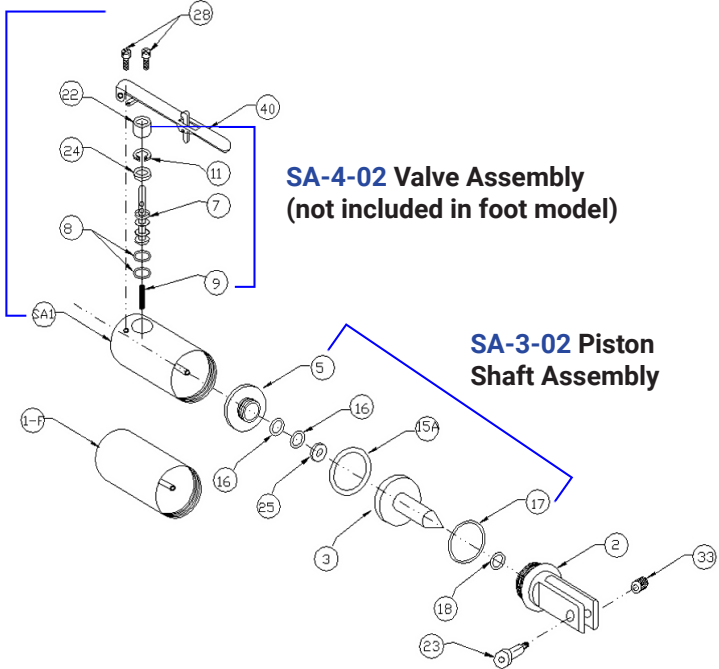




# SP-02P | SP-02PF Power Pack

**SA-1-02  
Piston  
Housing  
Assembly**



**SA-4-02 Valve Assembly  
(not included in foot model)**

**SA-3-02 Piston  
Shaft Assembly**

SA-1	Piston Housing Assembly	SA-1-02	
1-F	Piston Housing Remote	1-F-02F	
2	Jaw Housing	SA-2-02	
3	Piston Shaft	3-02	
3	Piston Lock Plate	5-02	
5	Piston Lock Nut	5-02	
7	Spool	7-02	1
8	Spool O-ring	16-003-K10	
9	Spool Spring	9A-01	1
11	Snap Ring	11-01	1
15A	O-ring Piston Seal	15A-02	
16	O-rings (2 required)	16-01-K10	
17	O-Ring	17-02-k10	
18	O-ring	18-01	
22	Valve Spacer	22-02	1
23	Pivot Screw	23-01	
24	Valve Washer	24-01	1
25	Piston Washer	25-01	
28	2 Screws	28-01-K10	1
33	Insert Nut	33-01	
40	Dual Action Lever	DA-1	1
	Valve Repair Kit	SA-4-02	

(1) Included in the valve repair kit.  
 • Two hoses included with FOOT models, one with HAND models