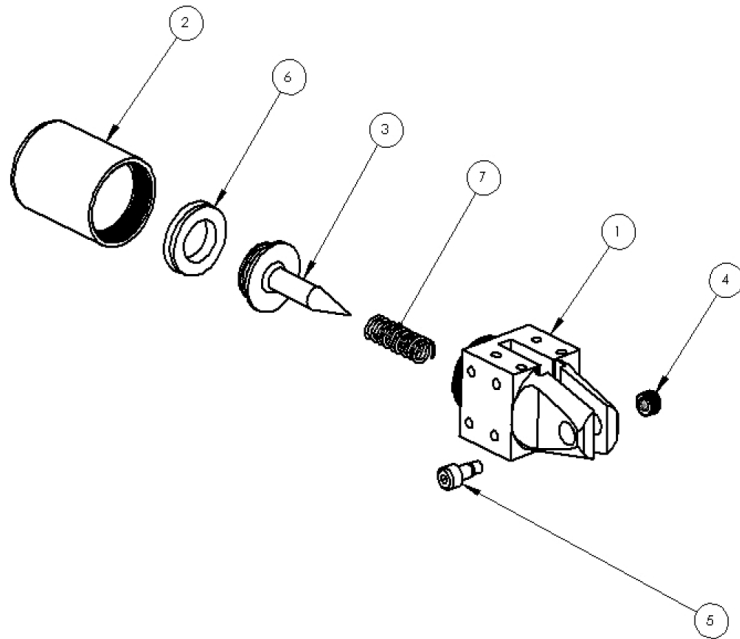




SM-50 Robotic Cutting Tool



1	Jaw Housing	2-SM-50	
2	Piston Housing	1-F-SM-50	
3	Piston Shaft	3-MSP	
4	Insert Nut	14-MSP	1
5	Pivot Screw	11-MSP	1
6	Piston Seal	15-MSP	1
7	Return Spring	5-MSPSM-50-KIT	
	Repair Kit	SM-50-KIT	

(1) Included in the valve repair kit.