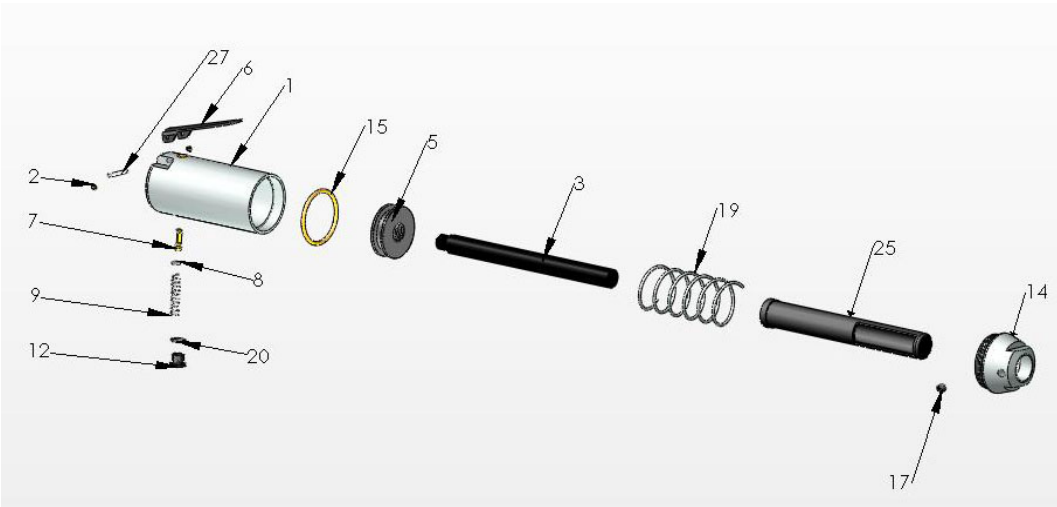




SM-300 | SM-310 | SM-350 Hose Clamp Tools



1	Housing	1-300
2	E-clip	2-300
3	Push Rod	3-300
5	Piston Plate	5-300
6	Trigger Lever	6-300
7	Spool	7-300
8	Valve Seal	29-300
9	Valve Spring	9A-01
12	Valve Cap	12-300
14	End Cap	14-300
15	Piston Seal	19-002.5
17	Set Screw	4-3A
19	Return Spring	19-300
20	Cap Seal	20-300
25A	Clamp Housing (CBT clamps)	25-300
25B	Clamp Housing (single wire)	25-350
27	Lever Pin	27-300
	Valve Body (used on SM-300 and SM-350)	10-300RV
	Valve Body (used on SM-310)	10-300