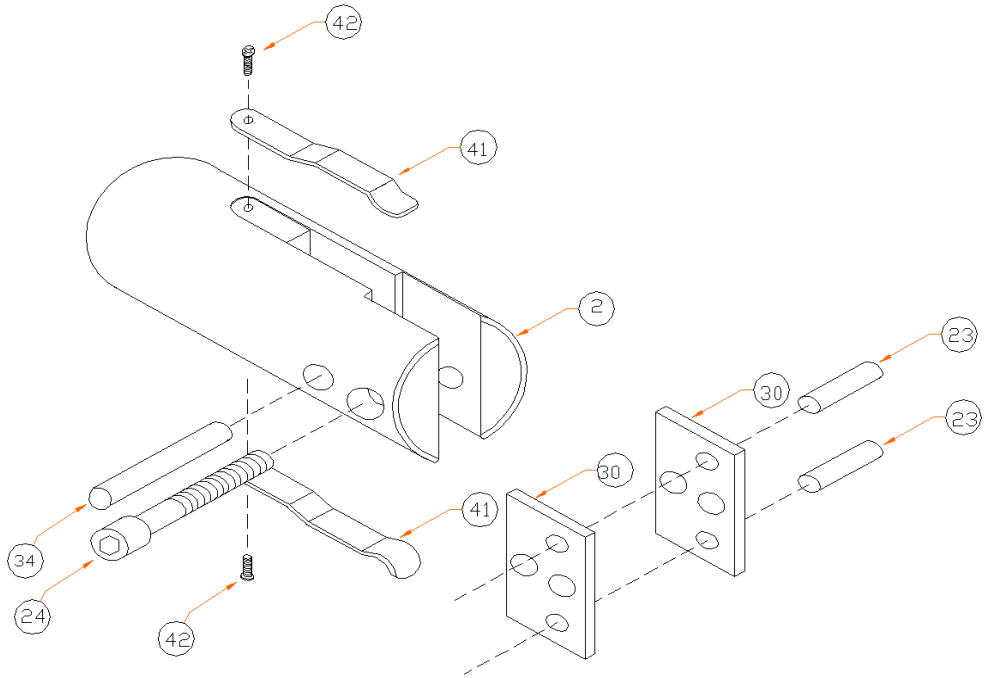




SA-2P Jaw Housing



| | | |
|----|--------------------------|-----------|
| 2 | No. 3 Jaw Housing | 3-2 |
| 23 | Pivot Pin | 3-23-K2 |
| 24 | Jaw assembly mount screw | 3-24 |
| 30 | Side Plate | 3-30-K2 |
| 34 | Side Plate Locking Pin | 3-34 |
| 41 | External Jaw Spring | 3-41-K2 |
| 42 | Mount Screw | 28-01-K10 |

Compatible Power Packs:
 SP-002, SP-003, SP-004, SP-005, SP-002.5 SP-006,
 SP-008

Compatible Jaw Sets:
 All PGC Jaws, DA-D, D-31, D-33

The third hole in the plate is drilled after the jaws are in place. This hole is not on the side plates when ordered as a part. Contact factory for instructions on drilling and aligning.