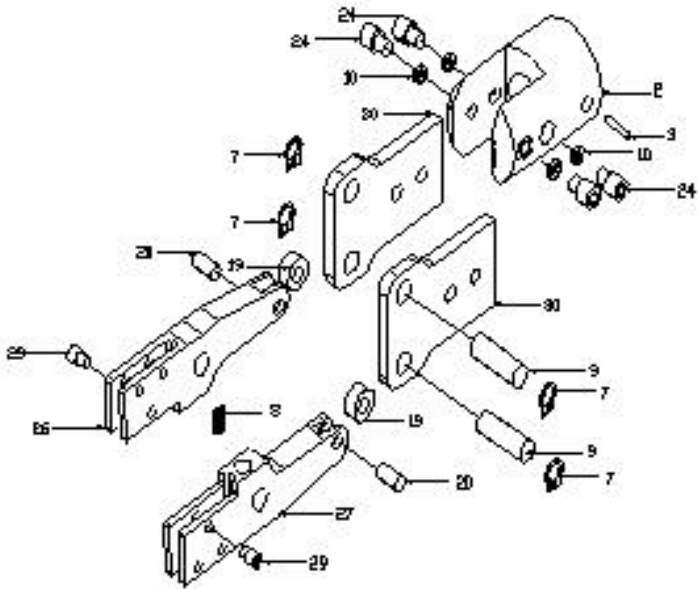




# UC-9 Jaw and Housing



2	Jaw Housing for A-4 Jaws	4-2B
3	Set Screw	4-3A
7	Snap Ring (4 required)	4-7A
8	Internal Jaw Spring	4-8A
9	Pivot Pin (2 required)	4-9A
10	Lock Washer (4 required)	4-10A
19	Jaw Roller (2 required)	4-19-525-K2
20	Roller Pin (2 required)	4-20A
24	Jaw Assembly Screw (4 required)	4-24A
26&27	Jaw Set	RUC-9
29	Insert Holding Screw (2 required)	38-RU-9
30	Side Plate (set of 2)	4-30A