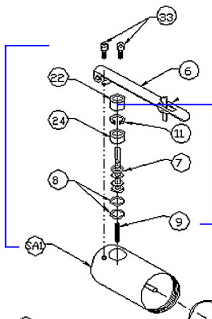
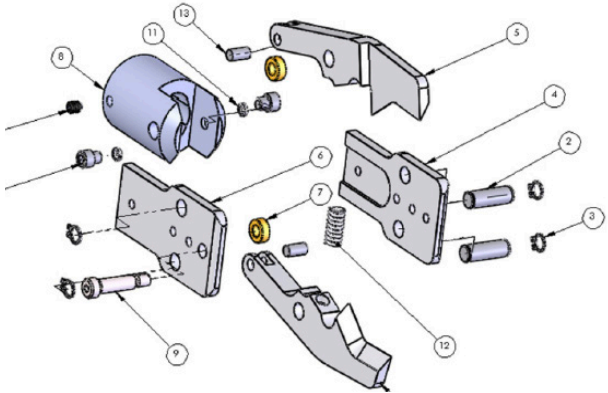




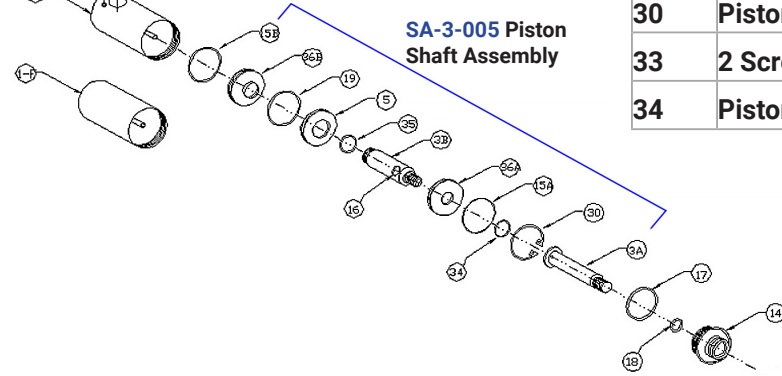
# PTX-938 Cable Cutter

1	Housing Assembly Screw	4-24-A
2	Pivot Pin	49A
3	Snap Ring	4-7A
4	Side Plate th'ed	20-20A
5	Set of Jaws	PTX-968-6
6	Side Plate no th'dr	4-24B
7	.525 Jaw Rollers (qty 2)	4-19-525-K2
8	Jaw Housing	PTX-938-6
9	Pivot Screw	4-24B
10	Set Screw	4-3A
11	Lock Washer	4-8-10A
12	Internal Jaw Spring	4-8A
13	Roll Pin	4-20A

SA-1-005  
Piston  
Housing  
Assembly



SA-4-005 Valve Assembly  
(not included in foot model)



SA-3-005 Piston  
Shaft Assembly

SA-1	Piston Housing Assembly	SA-1-005	
1-F	Piston Housing Remote	1-F-005	
3	Piston Shaft	3A-005/3B-005	
5	Piston Lock Plate	5-005	
6	Safety Lever Assembly	DA-1	
7	Spool	7-004	1
8	2 Spool O-rings (Kit of 10)	16-003-K10	1
9	Spool Spring	9A-01	1
11	Snap Ring	11-01	1
14	End Cap	14-005	
15A	O-ring Piston Seal	15A-005	
16	2 O-rings (Kit of 10)	16-003-K10	
17	O-ring (Kit of 10)	17-004-K10	
18	O-ring	18-005	
19	O-ring (Kit of 10)	17-004-K10	
22	Valve Spacer	22-004	1
24	Valve Washer	24-01	1
25-H	Hex Cam	25-H	
30	Piston Snap Ring	30-005	
33	2 Screws (Kit of 10)	28-01-K10	
34	Piston Seal	18-08	

(1) Included in the valve repair kit.  
 • Two hoses included with FOOT models, one with HAND models