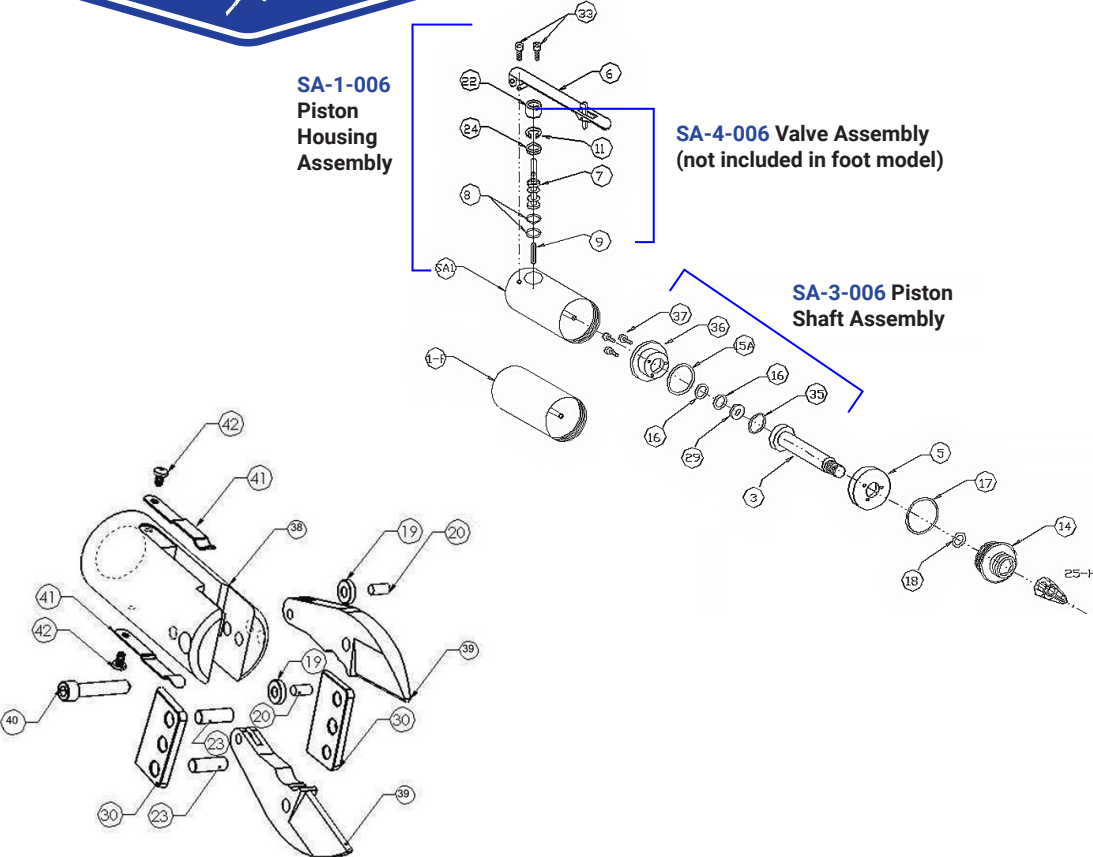




# PO-006 Pinch Off Tool



SA-1	Piston Housing Assembly	SA-1-006	
1-F	Piston Housing Remote	1-F-006	
3	Piston Shaft	3-003	
5	Piston Lock Plate	5-006	
6	Safety Lever Assembly	DA-1	
7	Spool	7-006	1
8	2 Spool O-rings (Kit of 10)	16-003-K10	1

9	Spool Spring	9A-01	1
11	Snap Ring	11-01	1
14	End Cap	14-006	
15A	O-ring Piston Seal	15A-006	
16	2 O-rings (Kit of 10)	16-003-K10	
17	O-ring (Kit of 10)	15B-008-K10	
18	O-ring	18-01	
19	Jaw Roller	3-19-453-K2	
20	Jaw Roller Pin	3-20-K2	
22	Valve Spacer	22-006	1
23	Pivot Pins (2 required)	3-23-K2	
24	Valve Washer	24-006	1
25-H	Hex Cam	25-H	
29	Valve Washer	24-01	
30	Jaw Side Plates	3-30-K2	
33 & 42	2 Screws (Kit of 10)	28-01-K10	
35	O-ring (Kit of 10)	35-003-K10	
36	Piston Seal Holder	36-006	
37	3 Mount Screws (Kit of 10)	37-003-K10	
38	Jaw Housing	3-2	
39	Pinch Off Jaw Set	PO-3-1	
40	Jaw Mounting Screw	3-24	
41	Jaw Return Springs	3-41-K2	
	VALVE REPAIR KIT	SA-4-006	

- (1) Included in the valve repair kit.
- Optional Cams available, for use with special tools: 25-C-800, 25-F, 25-S, 25-R, 25-C
  - Two hoses included with FOOT models, one with HAND models