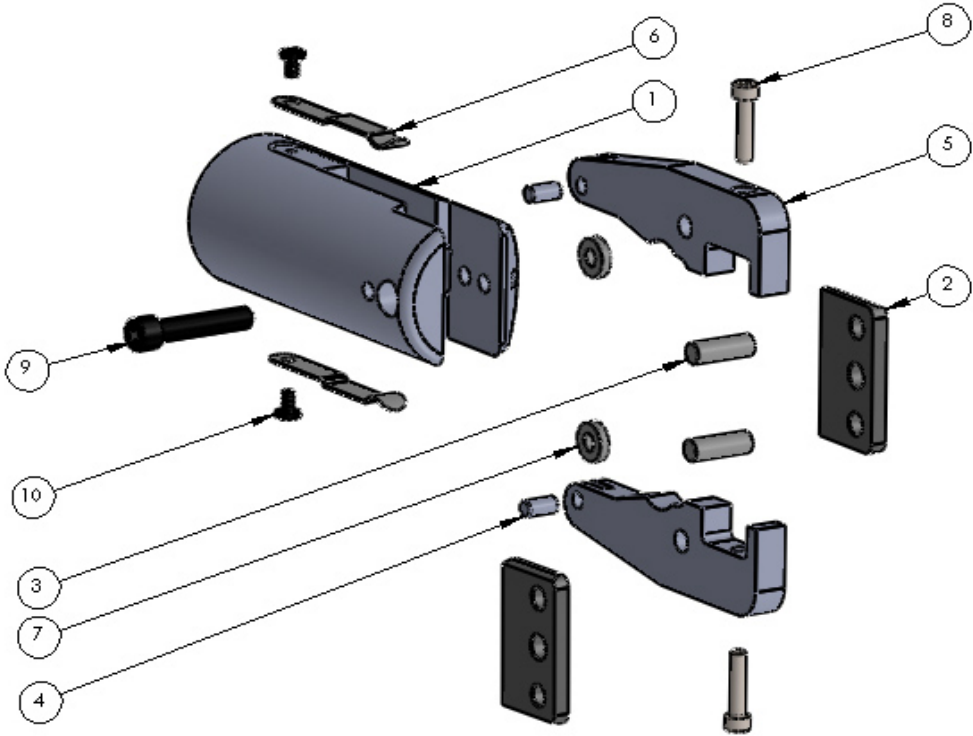




CM-3 Jaw and Housing



1	Jaw Housing	3-2
2	Side Plates (2 required)	3-30-K2
3	Pivot Pin (2 required)	3-23-K2
4	Roller Pin (2 required)	3-20-K2
5	Jaw Set	RCM-3
6	Jaw Springs (2 required)	3-41-K2
7	Jaw Rollers (2 required)	3-19-453-K2
8	Insert Screws (2 required)	38-CM-3
9	Mounting Screw	3-24
10	Lever Screws (2 required)	28-01-K10