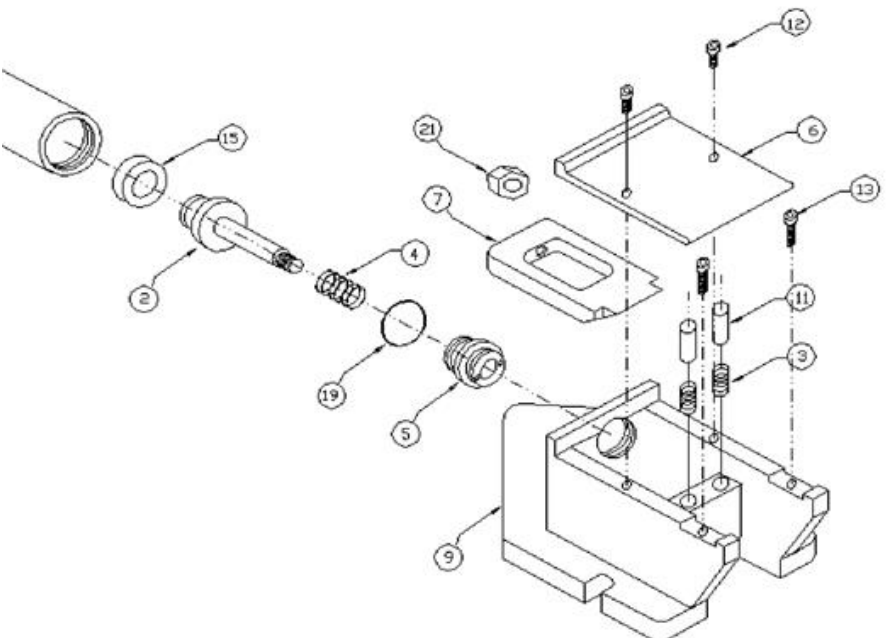




CLP-274 Lead Processor



1F	Piston Housing	1PPF-CLP	
2	Piston Shaft	2-CLP	
3	Tension Spring	3-CLP-K10	
4	Return Spring	4-CLP	1
5	End Cap	5-CLP	
6	Cover Plate	6-CLP	
7	Cutter Blade	7A-CLP	
9	Base	9PT-CLP-ALUM	
11	Tension Pin	11A-CLP-K2	
12	Cover Screw	12-CLP-K2	
13	Die Screw	13-CLP-K2	
15	Piston Cup	15-MSP	1
19	O-ring	18-MSP-10	1
21	Lock Nut	21-CLP	1
	Power Pack Repair Kit	274-CLP-KIT	
	Foot Switch (Included)	103	

(1) Included in the repair kit.