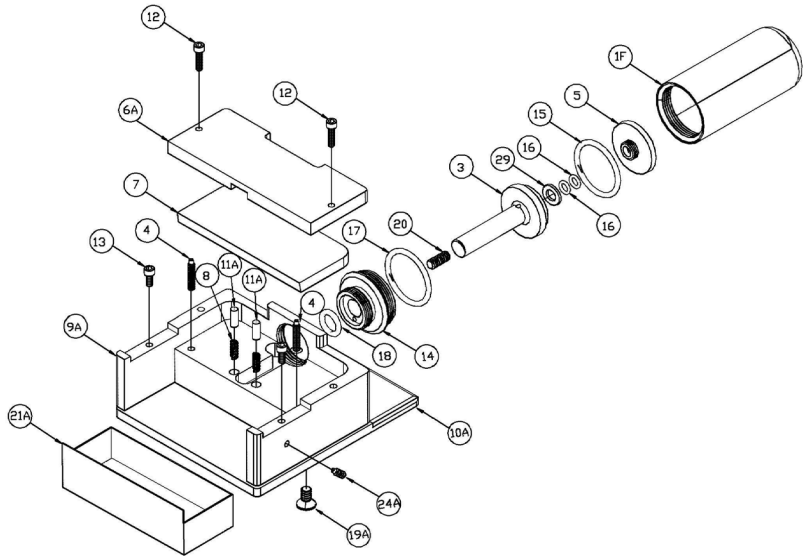




CLP-2000A Lead Processor



1F	Piston Housing	1-F-002	
3	Piston Shaft	3-2000-CLP	
4	Spring Plunger	4-CLP-2000	
5	Lock Nut	36-CLP	
6A	Cover Plate	6A-CLP-2000	
7	Cutter Blade	7-CLP-2000	1
8	Tension Spring	3-CLP-K10	
9A	Base	9A-CLP-2000	1
10A	Mounting Plate	10A-CLP-2000	1
11A	Tension Spring	11A-CLP	
12	Cover Screws	12-CLP-2000	
13	Die Screws	13-CLP-2000	
14	End Cap	5-CLP-2000	
15	Piston Seal	15A-02	1
16	O-ring	16-01-K10	
17	O-ring	17-02-K10	1
18	O-ring	18-01	
19A	Mounting Base Screw	19A-CLP-2000	1
20	Piston Shaft Extension	20A-CLP-2000	
21A	Tray	21A-CLP-2000	1
24A	Short Spring Plunger	24A-CLP-2000	
29	Piston Washer	25-01	
	Power Pack Repair Kit	2000-KIT	
	Foot Switch (not shown)	107	
	Air Hose (not shown)	102-5	

(1) Included in the repair kit.