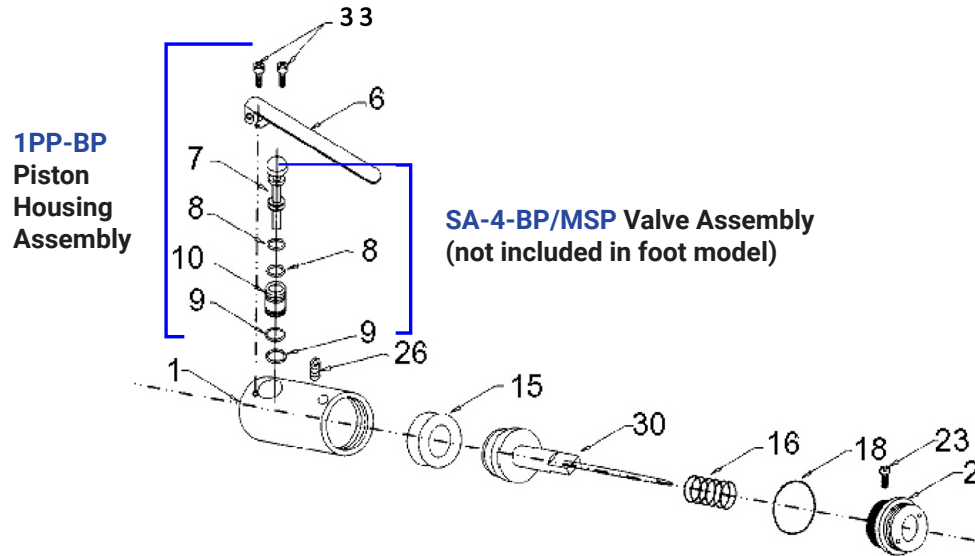




BP-1 Power Pack

1	Piston Housing Assembly	1-PP-BP	
2	End Cap	2HA-BP	
6	Lever Assembly	6TL-MSP	
7	Spool	7A-MSP	1
8	Spool O-ring (2 required)	16-01-K10	1
9	Spool O-ring (2 required)	16-003-K10	1
10	Valve Body	10A-BP	1
15	Piston Cup	15-MSP	
16	Return Spring	16-BP	
18	Bumper O-ring	18-MSP-K10	
23	Lock Screw	23-BP	
26	Lock Screw	20-MSP	
30	Quill	3Q-BP	
33	Lever Screw	28-01-K19	
	O-ring Repair Kit	BP-MSP-KIT	
	Valve Repair Kit	SA-4-BP/MSP	



Quill Assembly

Cap Screw	32-01
Nose Cone	H-BP

(1) Included in the valve repair kit.

- 1PP-MSP includes trigger assembly, valve assembly.